

4

3

2

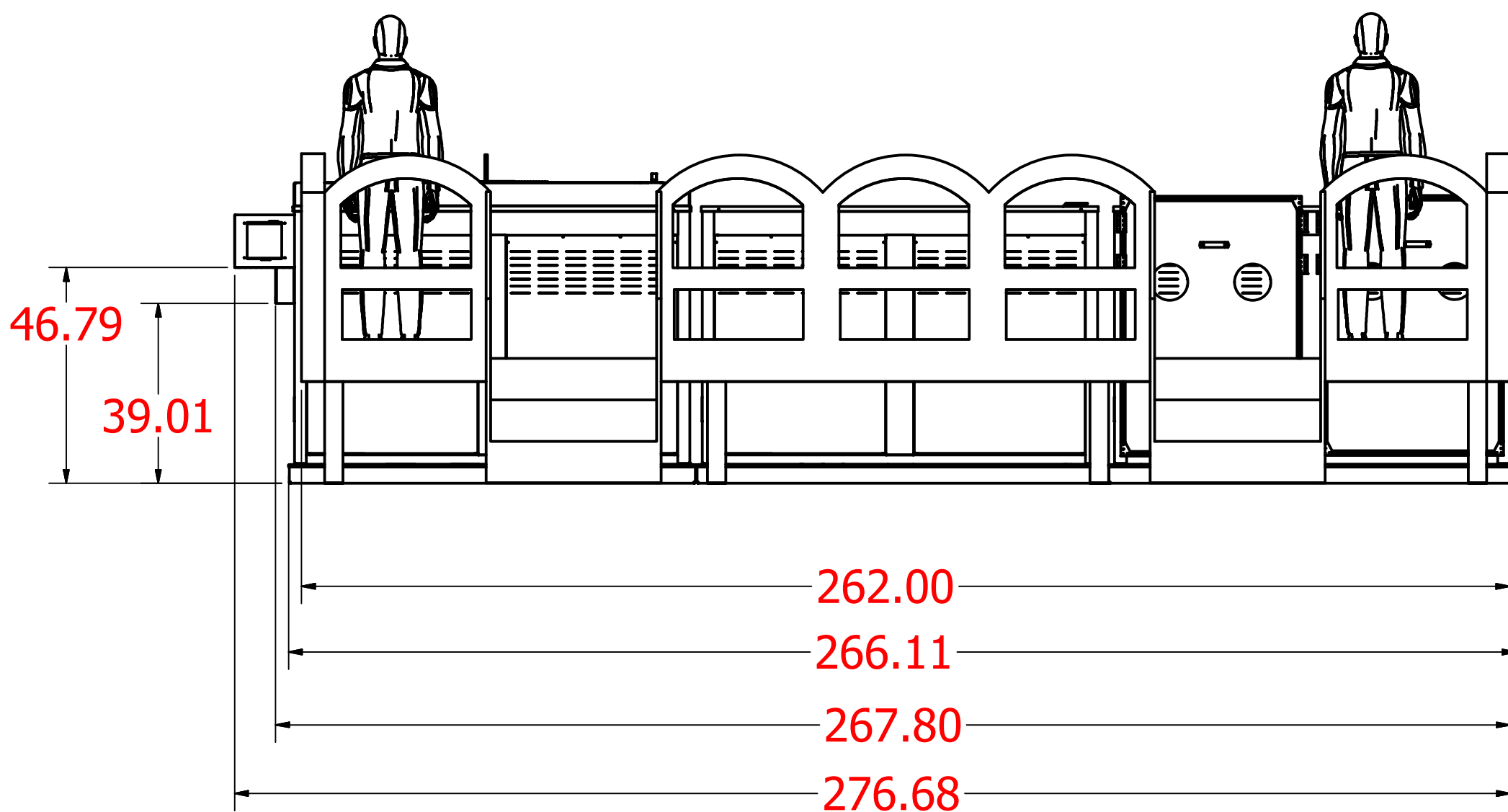
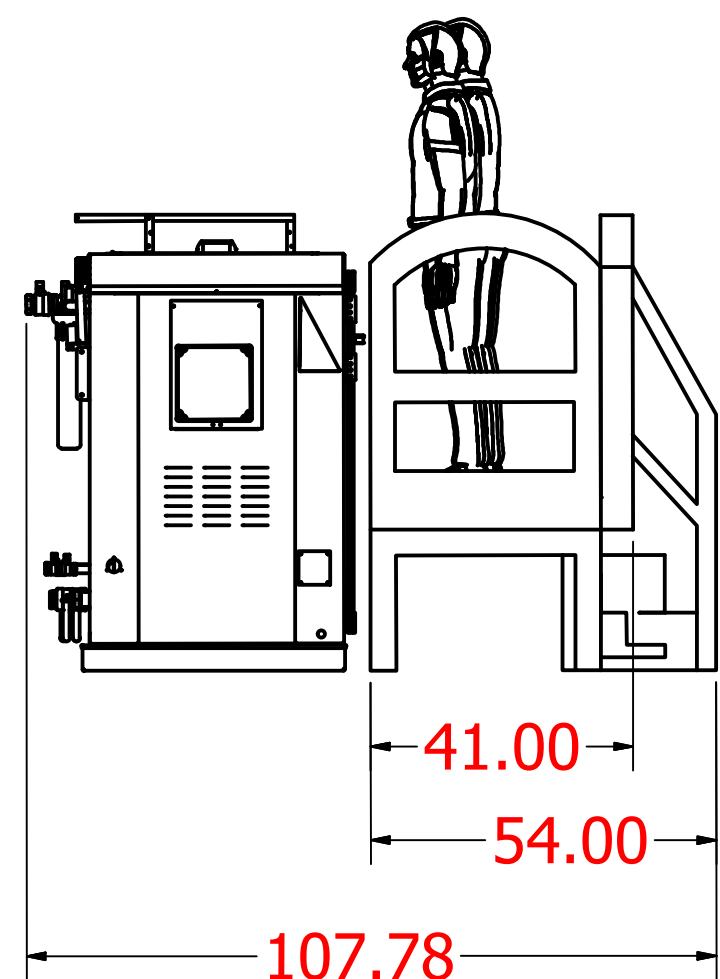
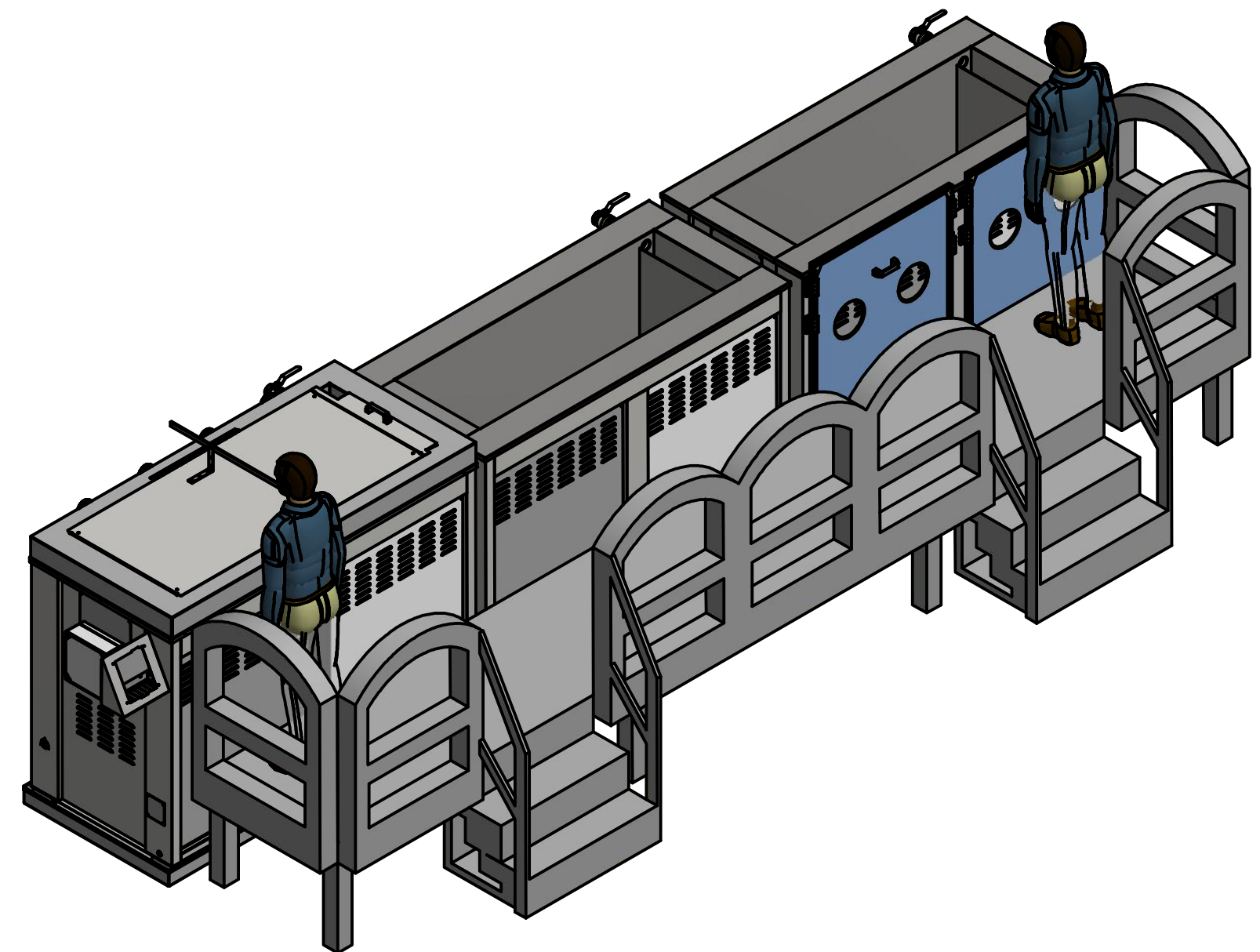
1

NOTE:

PLATFORM DIMENSIONS REDUCED PER CUSTOMER REQUEST ON 09-27-17

PLATFORM MODIFIED TO APPROXIMATE 22' IN LENGTH.

THREE UNIT SYSTEM IS LONGER THAN PLATFORM. CONTROL PANEL EXTENDS 1' (APPROX.) PAST HAND RAIL



CUSTOMER APPROVAL

NAME (PRINTED): _____

NAME (SIGNED): _____

DATE: _____

RETURN FAX TO 815-232-2150

ULTRASONIC POWER CORPORATION

THE INFORMATION CONTAINED IN THIS DRAWING IS THE SOLE PROPERTY OF:
ULTRASONIC POWER CORPORATION
 FREEPORT, IL 61032 USA
 ANY REPRODUCTION IN PART OR WHOLE WITHOUT THE WRITTEN PERMISSION OF ULTRASONIC POWER IS PROHIBITED.

TOLERANCES (UNLESS SPECIFIED)
 FRACTIONS +/- 1/64
 .XX +/- .03
 .XXX +/- .015
 ANGLES +/- 1 DEG
 BREAK ALL SHARP EDGES

DESCRIPTION RPC ZELLER PLASTIK NEW PLATFORM DIMENSIONS				
MATERIAL -		DWG # 15C785-1		
FINISH -	ENGR FSB	DATE 09-28-17	SHEET 1 OF 1	REV -

4

3

2

1

D

C

B

A

D

C

B

A