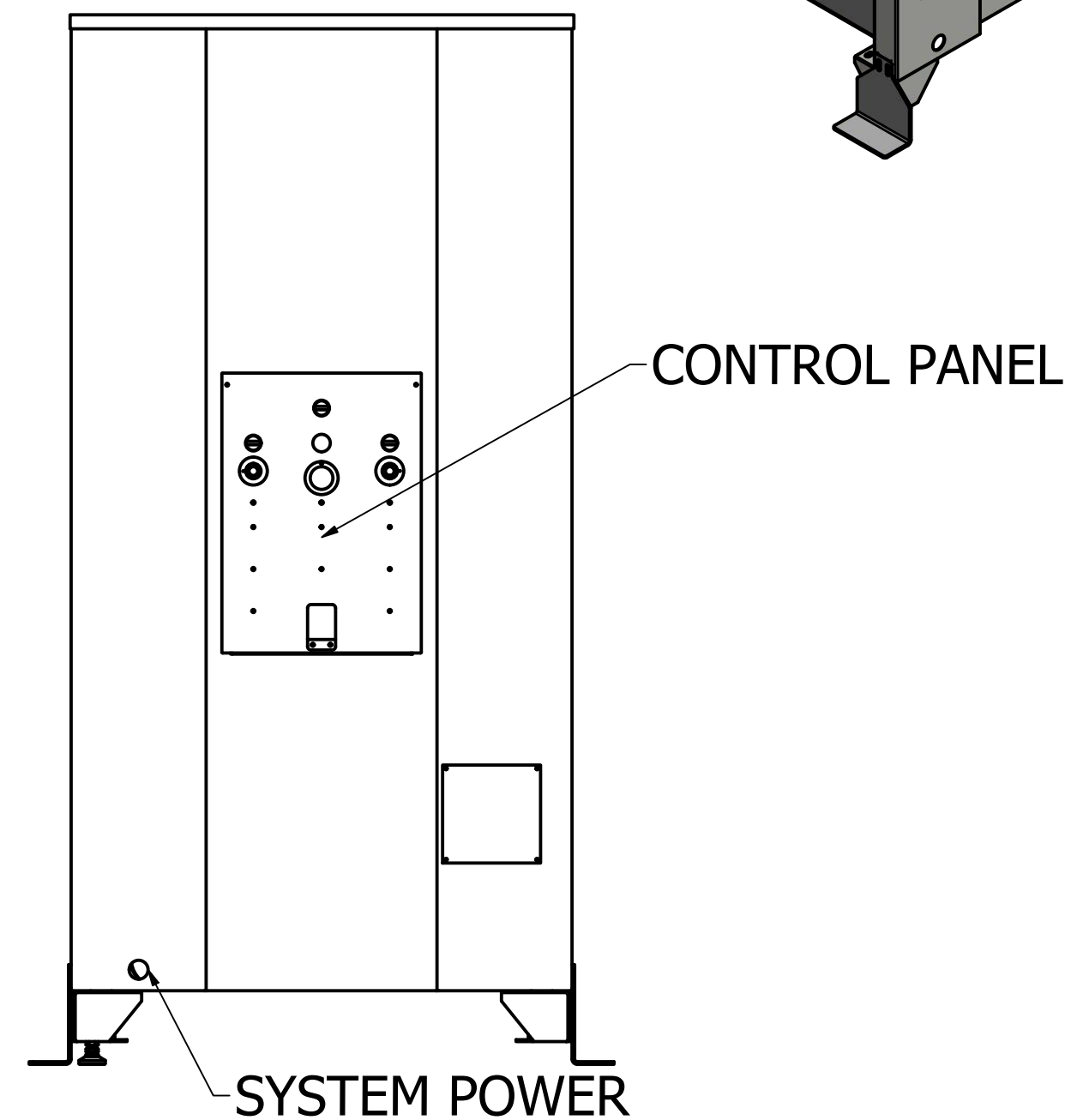
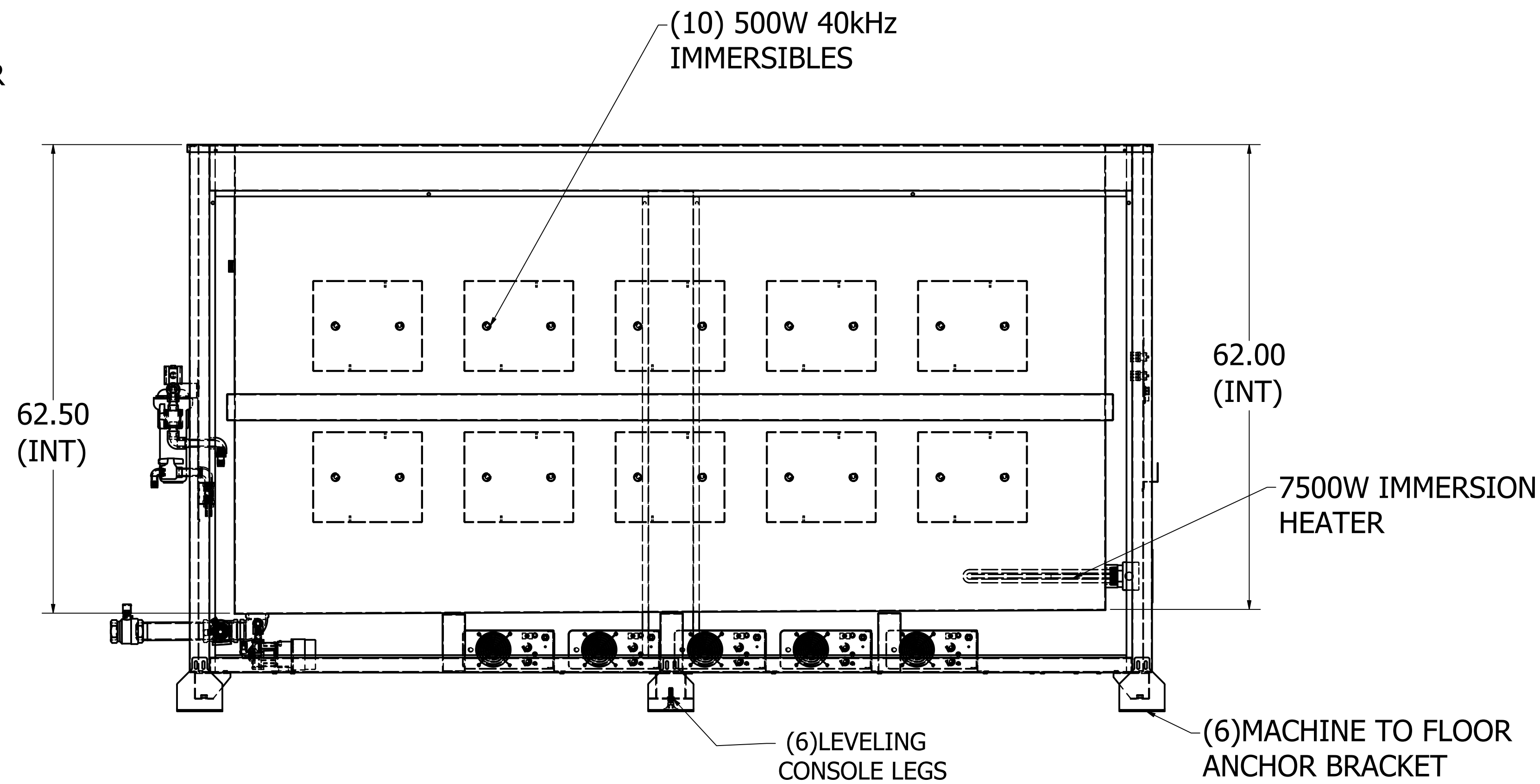
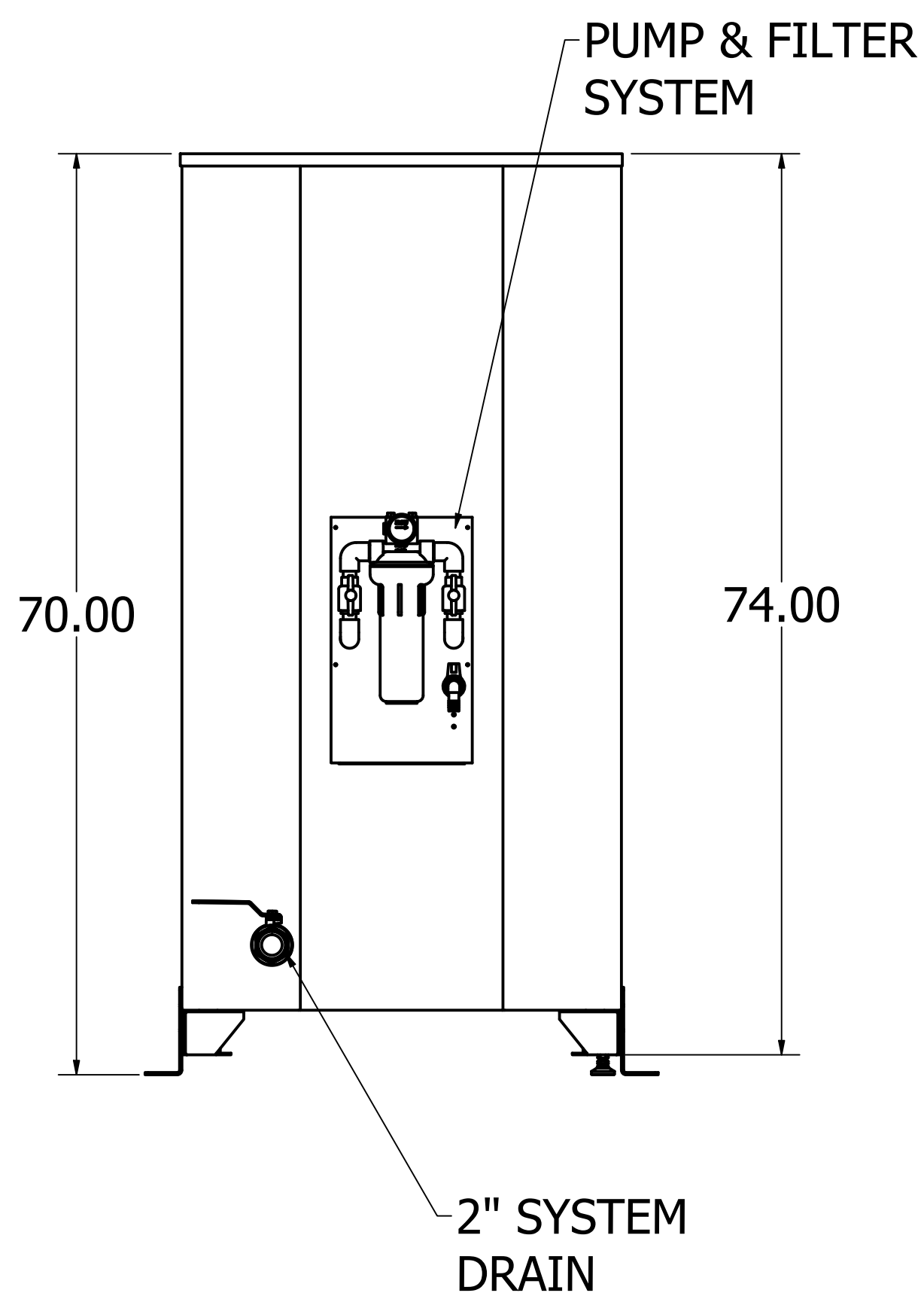
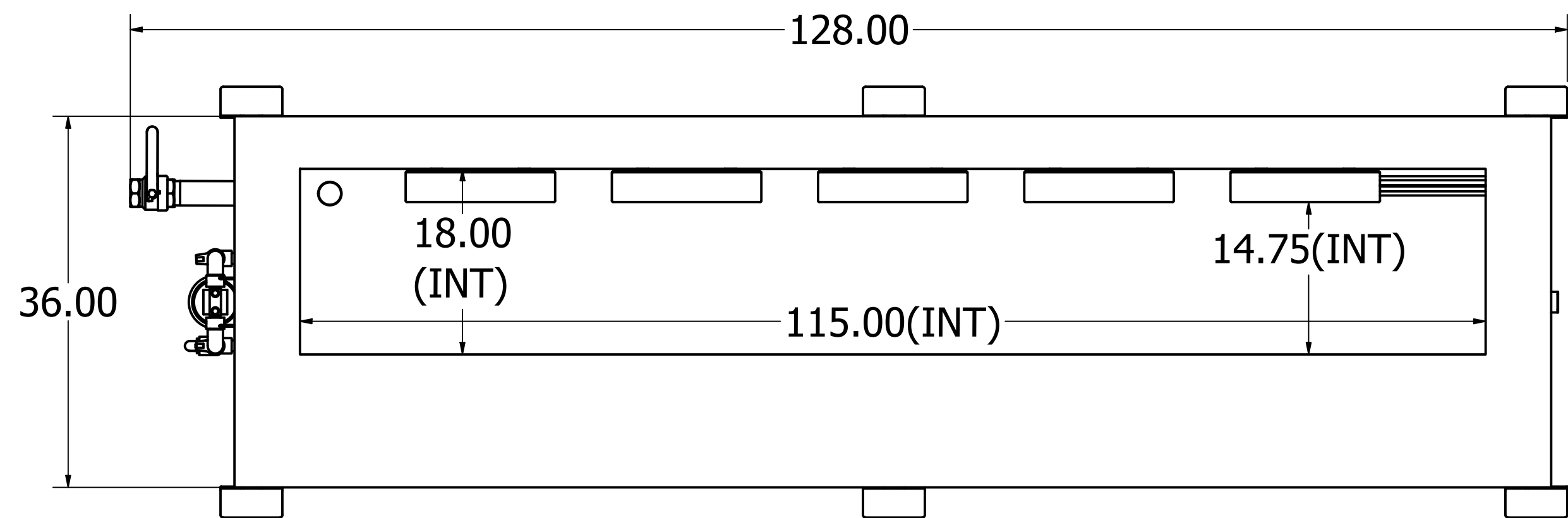
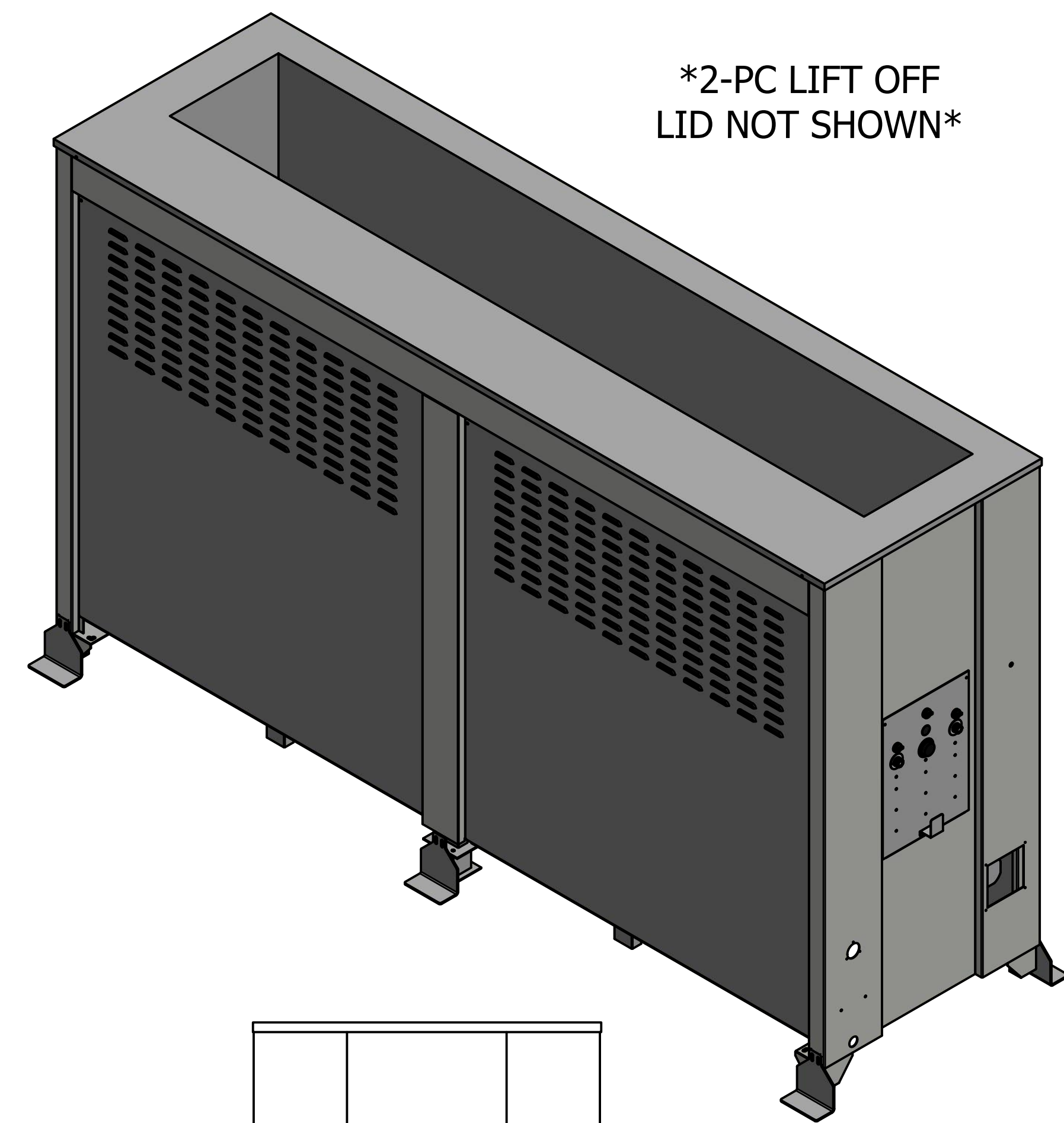


8 7 6 5 4 3 2 1



CUSTOMER APPROVAL
 NAME (PRINTED): _____
 NAME (SIGNED): _____
 DATE: _____

RETURN FAX TO 815-232-2150

		DESCRIPTION			
		MODEL 18115 CUSTOM 18 X 115 X 62"			
<small>THE INFORMATION CONTAINED IN THIS DRAWING IS THE SOLE PROPERTY OF ULTRASONIC POWER CORPORATION FREEPORT, IL 61032 USA ANY REPRODUCTION IN PART OR WHOLE WITHOUT THE WRITTEN PERMISSION OF ULTRASONIC POWER IS PROHIBITED.</small>		<small>TOLERANCES (UNLESS SPECIFIED) FRACTIONS +/- 1/64 .XX +/- .03 .XXX +/- .015 ANGLES +/- 1 DEG BREAK ALL SHARP EDGES</small>		MATERIAL	DWG #
FINISH	ENGR	DATE	SHEET	REV	
-	JSW	12-20-19	1 OF 1	-	15C805

8 7 6 5 4 3 2 1